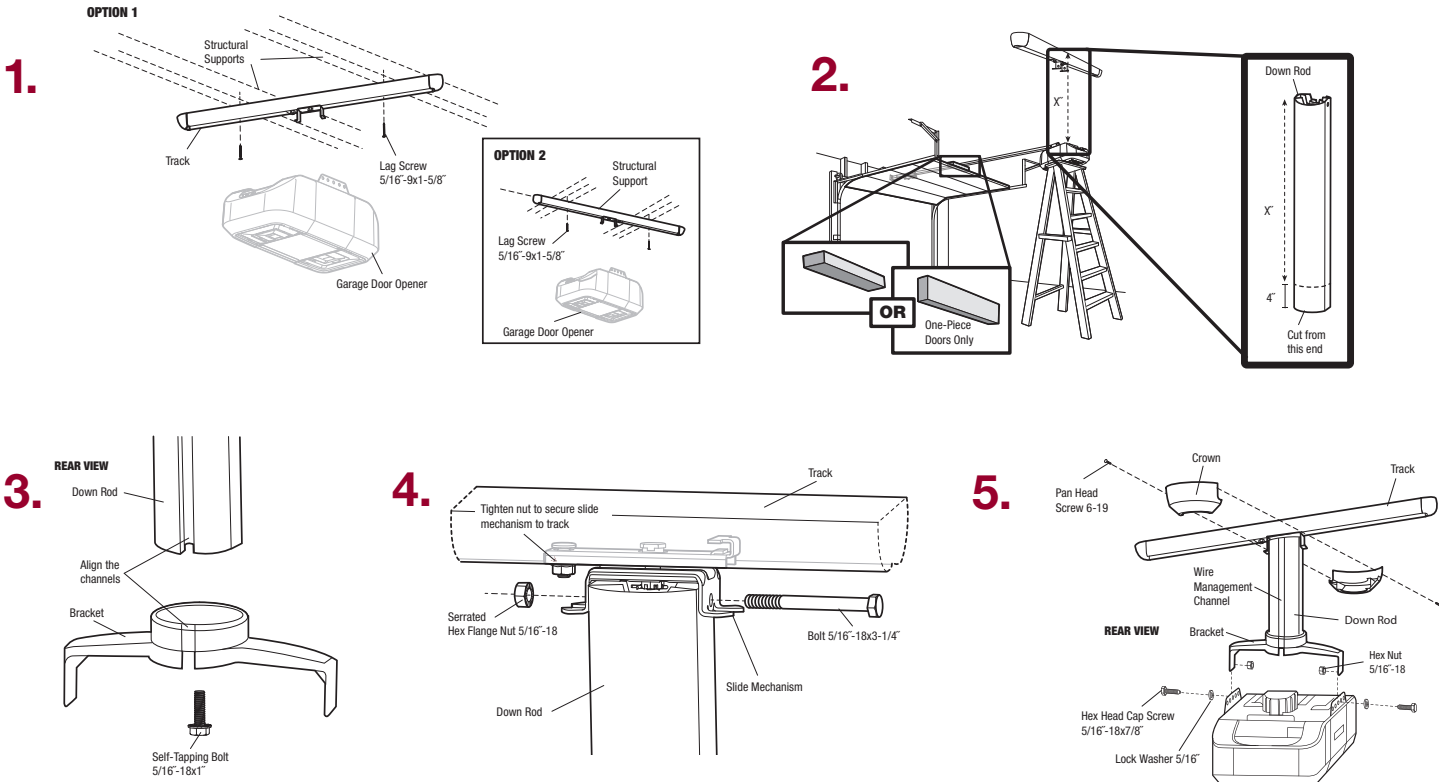


## 195LM INSTALLATION GUIDE

Refer to product manual for detailed instructions.



## STANDARD SPECIFICATIONS

### DIMENSIONS

Install Dimensions:

- Install Height Range: 6.5" to 24"
- Ceiling Track: 16" and 24" on center

Component Dimensions:

- Ceiling Track: 32.5"
- Vertical Downrod: 19.83"
- Garage Door Opener Hanging Bracket: 9.65" W x 3.63" H

### CARTON

Dimensions:

- Height: 4.4"
- Width: 9.0"
- Weight: 10.5 pounds

Contents:

- Ceiling Track
- Vertical Downrod
- Garage Door Opener Hanging Bracket
- Plastic Crowns (2)
- Quick Cut Guide
- Assembly Hardware

### SHIPPING SPECIFICATIONS

- Master Pack Quantity: 3 units
- Shipping Weight Master Pack: 31.5 pounds
- Pallet Quantity: 12 Master Pack (36 units)
- Shipping Weight, Pallet Qty: 378 pounds

### MATERIAL SPECIFICATIONS

- Ceiling Track: Extruded Aluminum
- Vertical Downrod: Extruded Aluminum
- Garage Door Opener Hanging Bracket: Die-Cast Aluminum

### COMPATIBILITY

- All LiftMaster Garage Door Opener models
- For Models 3595/8587 – use rear two mounting holes
- For Model 3240 – use front two mounting holes

### WARRANTY

One year warranty